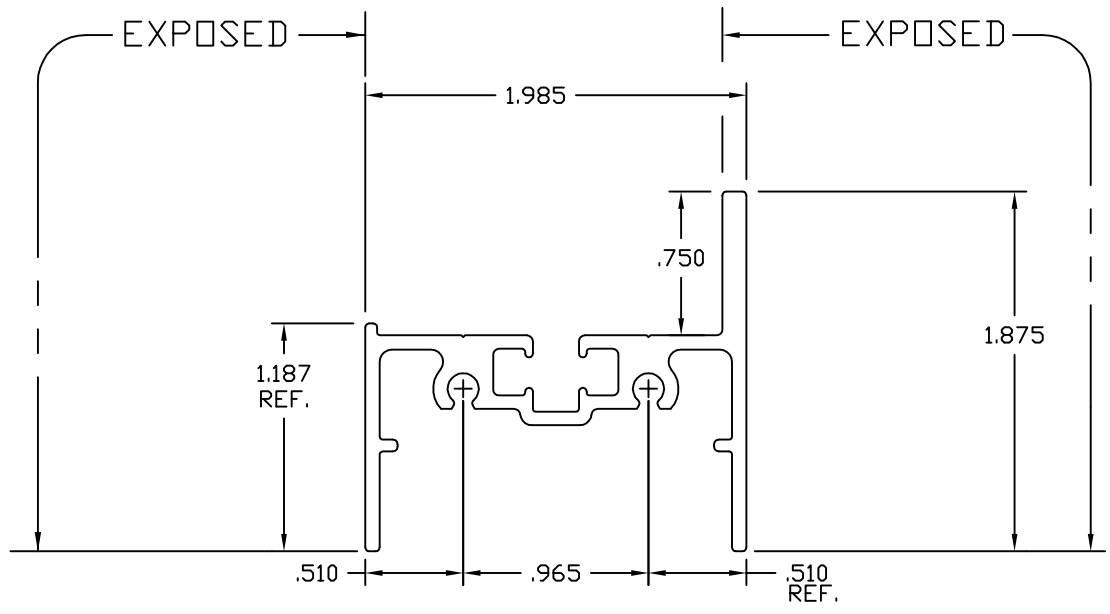
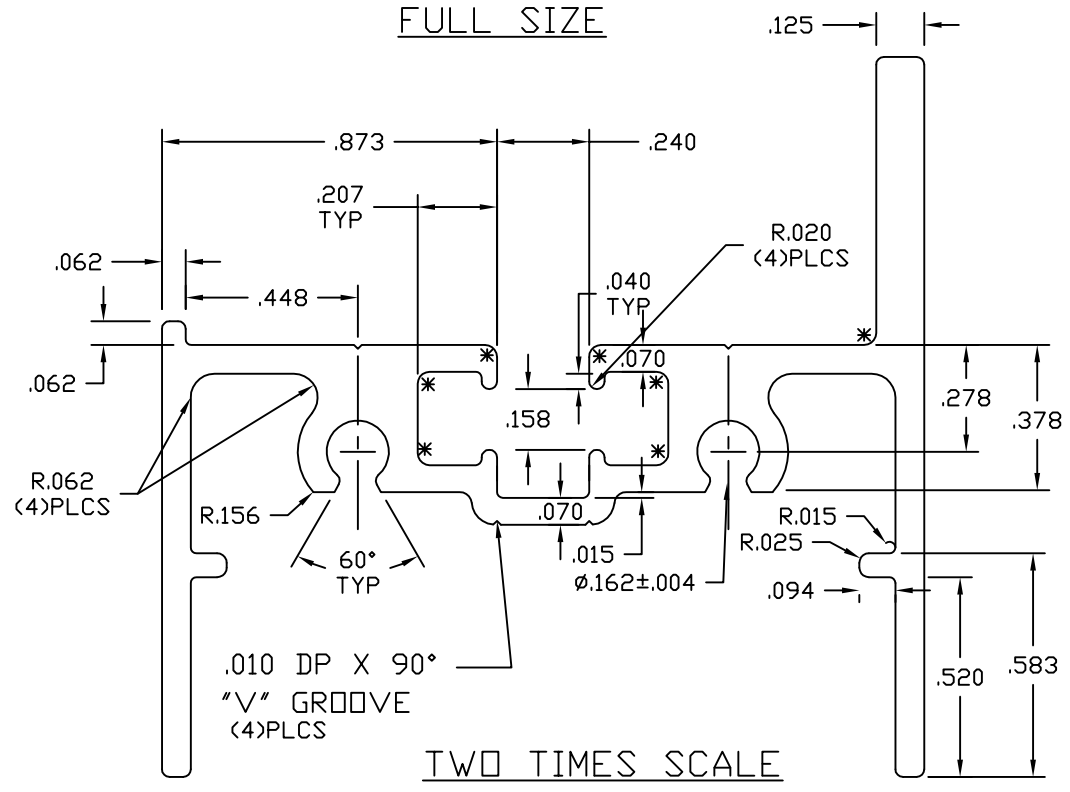


E3709



FULL SIZE



TWO TIMES SCALE

ALL UNSPECIFIED RADII .015
 * INDICATES .031 RADIUS
 □ DENOTES CRITICAL DIMENSION

REV	DATE	DESCRIPTION	INTL
X	XXXXXXXX	XXXXXX	XXX

CASEMENT VENT FRAME 1 7/8' X 2"
 VENT WINDOW

DRAWN BY DWS	DRWG DATE 01/23/09	APPV'D BY	DATE APPV'D
DRWG SCALE NOTED	PRODUCT CODE 120	E3709	REV